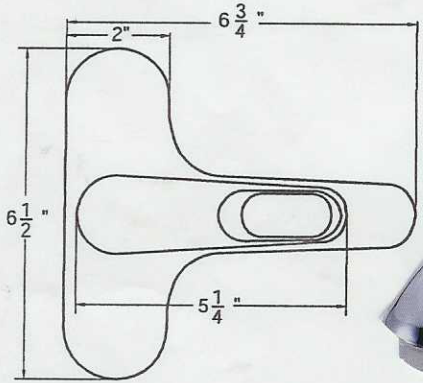
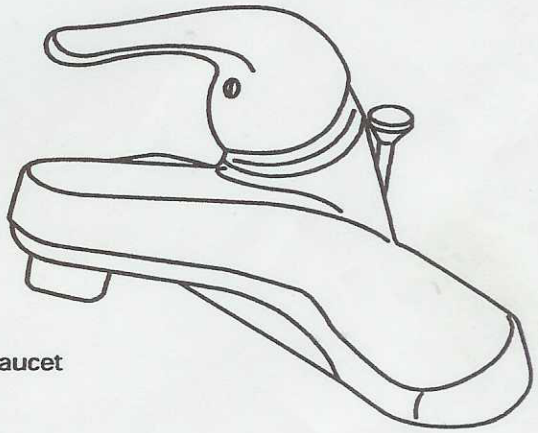
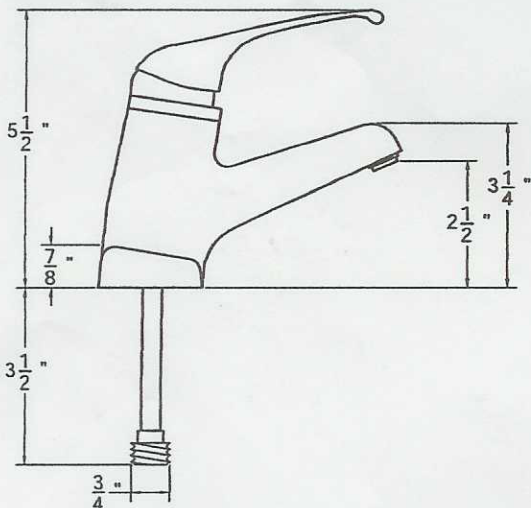


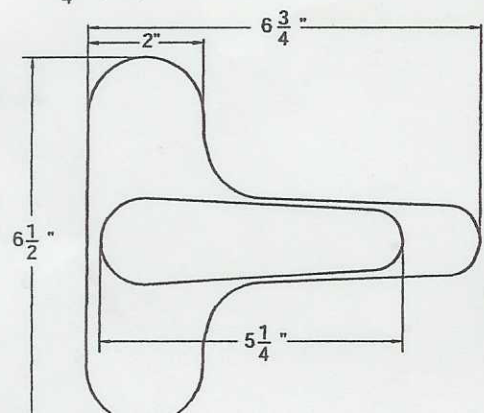
- 4" center set lavatory faucet
- Zinc die-cast housing
- METAL LEVER HANDLE
- Stainless steel ball stem
- 1/2" IPS connection
- 2.0 GPM@ 60 PSI
- Case lot of 12



WASHERLESS	CERAMIC CARTRIDGE
202W-PU w/ popup	202C-PU
202W w/o popup	202C



- 4" center set lavatory faucet
- Zinc die-cast housing
- 4.5" metal lever handle
- Stainless steel ball stem
- 1/2" IPS pipe shank
- 2.0 GPM@ 60 PSI
- Case lot of 12



WASHERLESS	CERAMIC CARTRIDGE
201W-PU w/ popup	201C-PU
201W w/o popup	201C